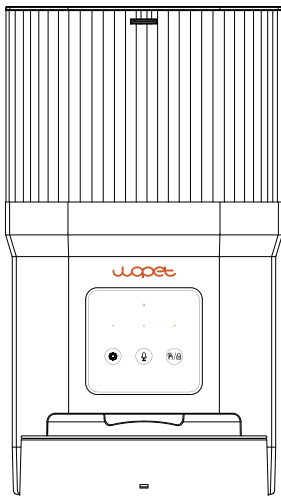




Cube Air 10

Model: CA10



User Manual

* Figures and illustrations in this User Manual are provided for reference only and may differ from actual product appearance.



Scan code to learn how to set up your feeder.



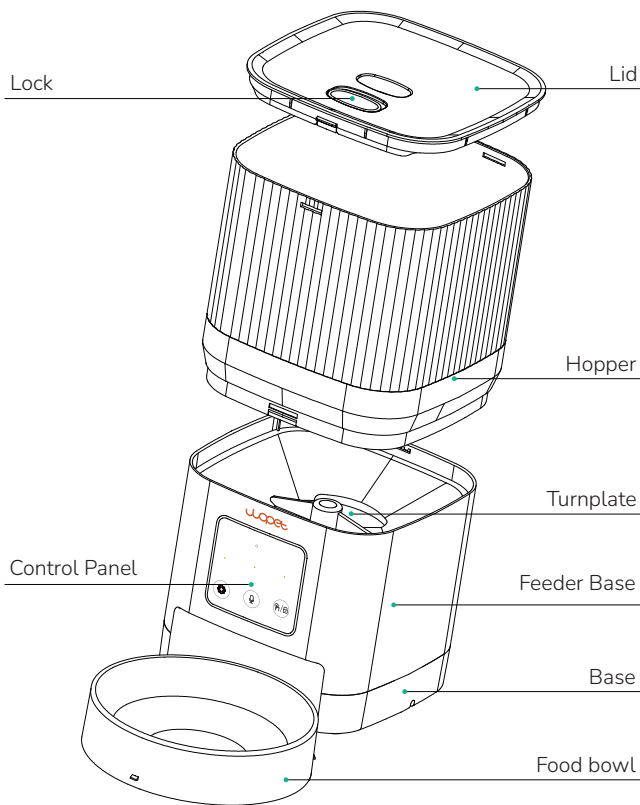
Scan code to get the "WOpet Life" App

[CONTENTS]

Product Specifications	1
Feeder Assembly	3
Take out the bowl	3
Load in desiccant	4
Insert batteries and power cable	5
Install the bowl.....	6
Install the hopper	6
Install the lid	7
Clean the hopper	7
Feeder Panel Introductions	8
Buttons and Indicator Lights	9
WOpet APP Setup	10
Download “WOpet Life” APP	10
Register an account	10
Add a device	10
FAQs	13
FCC Warnings	15
Ask Us A Question	17
Warranty Information	18

PRODUCT SPECIFICATIONS

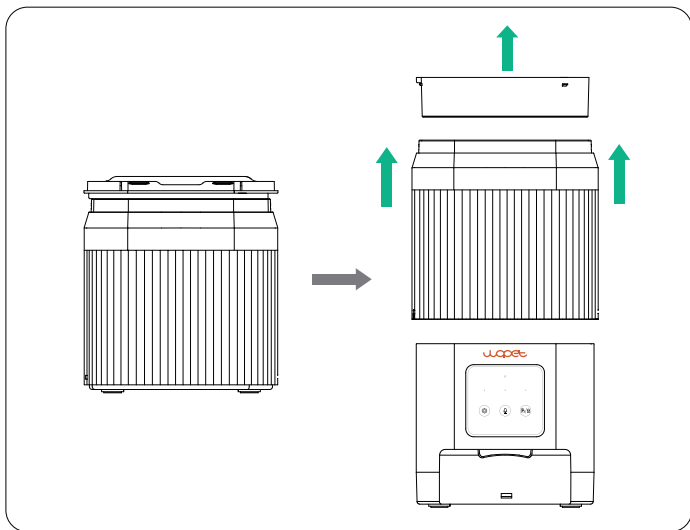
Model	CA10
Capacity	4L
Meals	10 meals per day
Screen	LED
One portion	10g / 0.35oz (8 portions at most per meal)
Food size	2 - 12mm (dry food only)
Pet size	Small / medium-sized dogs and cats
Battery-powered supply	3 × alkaline D batteries (not included)
DC-powered supply	5V / 1A
Operating temperature	-10°C - 55°C / 14°F - 131°F
Dimensions	18x18x20.4cm / 7.1x7.1x8.0in



FEEDER ASSEMBLY

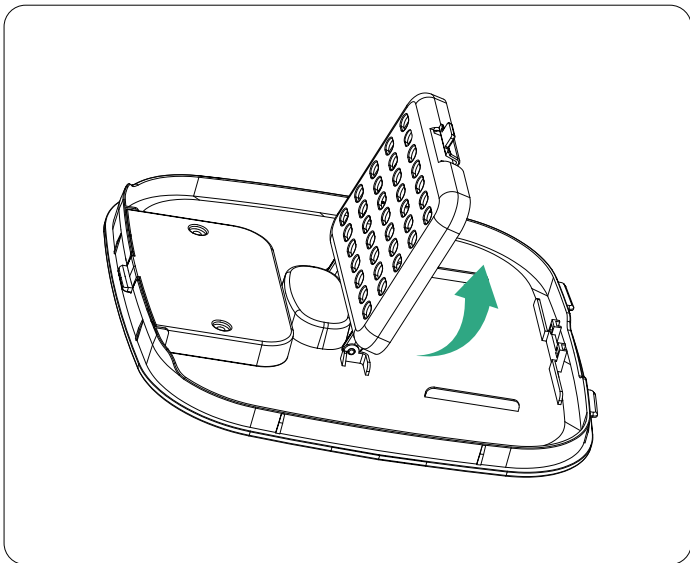
1 Take out the bowl

- Take the bowl out and lift the hopper upwards, take out the Type-C charging cable, desiccant, manual, etc.



2 Load in desiccant

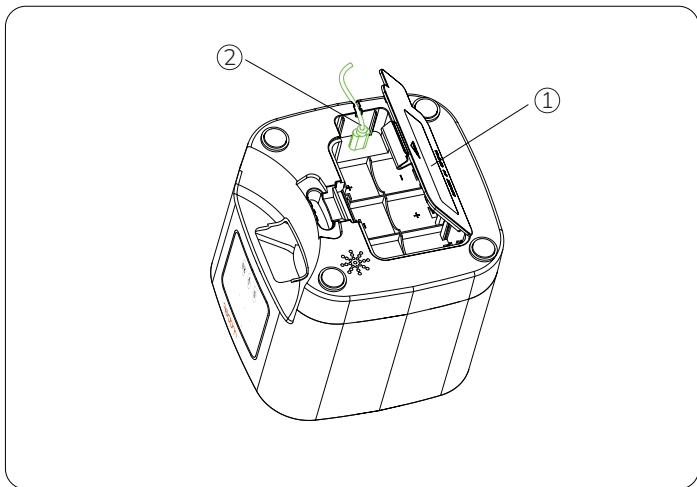
- Open the desiccant cap, put in the desiccant bag, and then close the cap.



3 Insert batteries and power cable

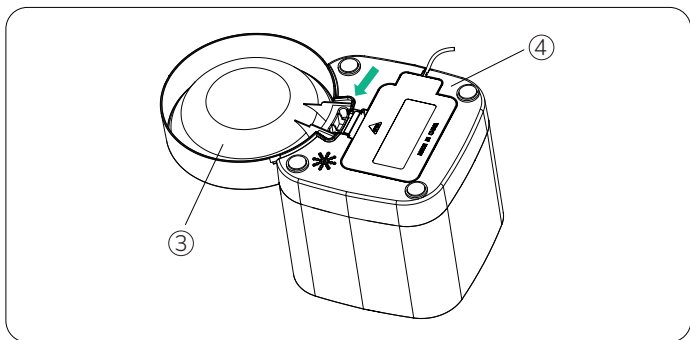
- Open the battery cover ① upward according to the indicated position, put in 3D-type batteries, then insert the Type-C power cable ②, put the cable into the cable slot, and finally close the battery cover.

Note: We highly recommend using dual power supply mode. The machine will automatically reset after 48 hrs. of a power outage and all data will be cleared.



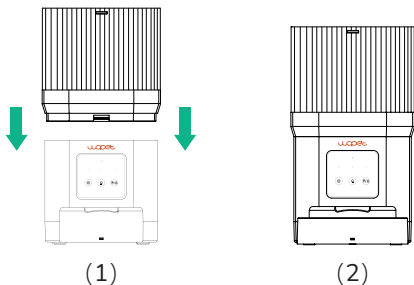
4 Install the bowl

- Install the food bowl ③ into the base ④ in the direction of the arrow as shown in the figure below.



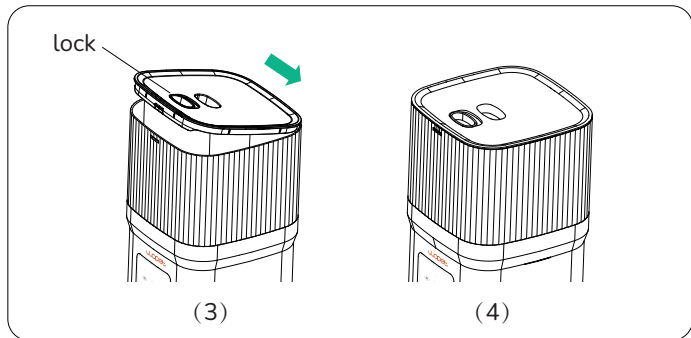
5 Install the hopper

- Install the hopper into the feeder base from top to bottom according to the arrow shown in figure (1)(2).



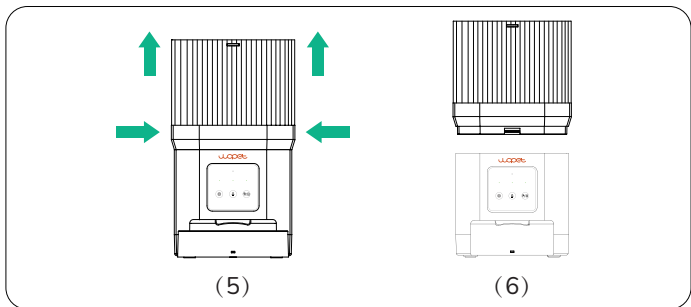
6 Install the lid

- First tilt the cover into the slot, as shown in (3), and then press "lock" to close the cover into place, as shown in (4).

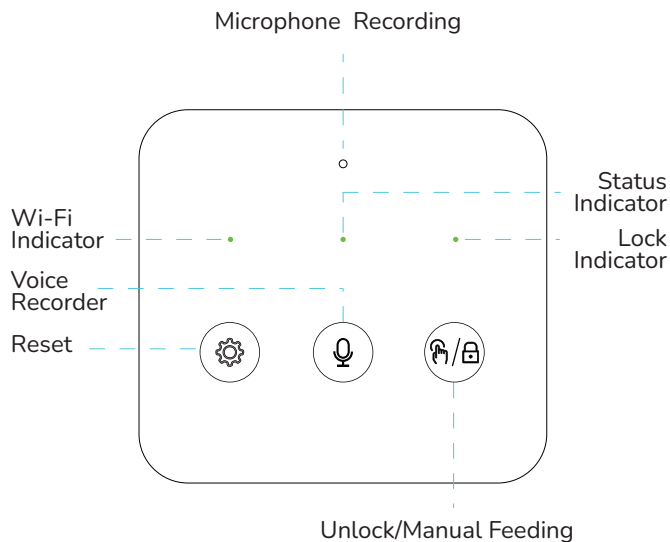


7 Clean the hopper




- Fix the base of the machine, lift the hopper upward and take it out, as shown in (5)(6).



Feeder Panel Introductions



Buttons and Indicator Lights

Button	Description	Function Instructions
	Unlock/ Manual Feed	<ul style="list-style-type: none">• Hold for 2 seconds to lock/unlock. Indicating light turns off in unlocked state. Click to dispense 1 portion.
	Record	Press and hold in unlocked state to record (up to 10 seconds); release to stop. Two beeps confirm saving. Distance from the machine affects recording volume. Status indicator: <ul style="list-style-type: none">• Green light: The feeding process is functioning correctly.• Red light: Motor stuck or other failure.
	Reset	Press and hold the button for 5 seconds until the indicator light flashes, signaling a reset to factory settings. <ul style="list-style-type: none">• Steady green light: The network is normal.• Red light: Failed to connect to network. Note: 1. Network pairing only in AC power mode. 2. No App operations in battery mode. 3. Batteries are used ONLY as a backup power source.

WOpet APP Setup

1 Download the “WOpet Life” APP

- To download the “WOpet Life” app, scan the QR code or search “WOpet Life” on App Store® for iOS or Google Play Store for Android.



Note: The mobile APP UI will be upgraded from time to time, please refer to the actual interface for specific details.

2 Register An Account

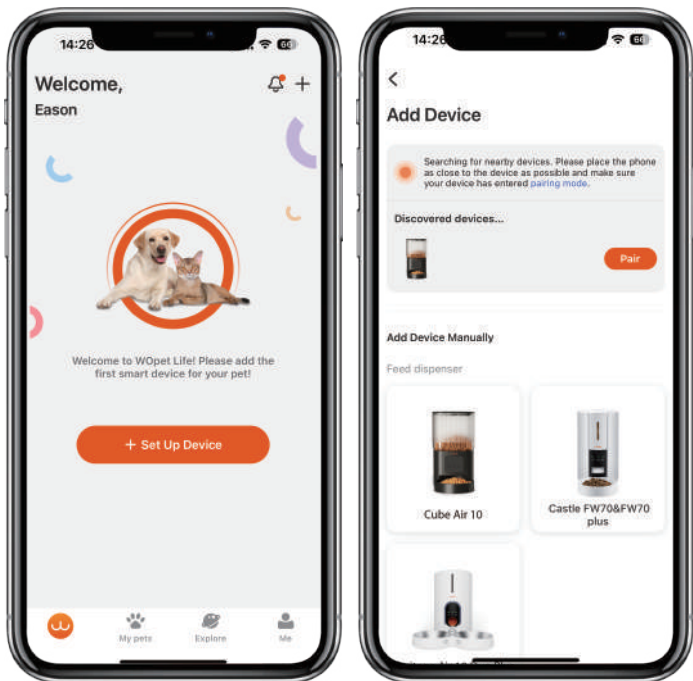
Open the “WOpet Life” app. If you already have an account, tap “Log In”. To create a new account, tap “Sign Up”.

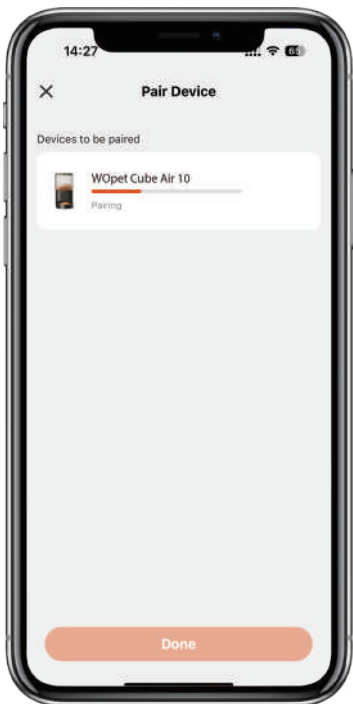
3 Add A Device

Note: Turn on Bluetooth and location services on your phone before adding a device to control the device.

- Tap “Set Up Device”.
- APP searches for nearby devices; click the desired device and follow the instructions.

- If not found, manually select from the device list.
- Added devices appear on the homepage list.





Note:

- This product is compatible with 2.4GHz WiFi only and does not support 5GHz WiFi.
- For a stable WiFi connection, keep the device within 19.7ft (6m) of the router, unobstructed by walls or objects.
- Network pairing works only in power supply mode, not in battery mode.

FAQs

Q: I cannot connect the feeder to Wi-Fi.

- A: 1. Check if connected to a 2.4GHz network, this product does not support 5GHz network connections.
2. Check if the machine is powered correctly.
3. Check if the account and password are correct, and enter the correct account and password.
(composed of letters, numbers, symbols, etc., 8~16 digits).
4. Check if the feeder is powered by batteries. App operation is not supported when powered by batteries.
5. Reset the feeder.
6. Email our customer service at support@wopet.com for further assistance.

Q: The feeder shows offline.

- A: 1. Keep the feeder within close range to the router (within 6m/19.7ft), without walls or other objects causing a weak signal.
2. Reset the feeder.

Q: The operation buttons on the panel do not work.

- A: Check if the child lock light is on. Exit child lock mode by long-pressing the unlock button for 2 seconds.

Q: The APP operation does not dispense food properly.

- A: 1. Check if the power supply is normal, and if the battery power is sufficient when powered by batteries (indicated by the red light).
2. Check if the food bowl is overfilled.

3. Check if the hopper is empty.
4. Check if the rotor is jammed. If the working indicator light is constantly red, remove and clean the rotor to solve the jam.
5. Check if the food size is too large which causes a blockage. The feeder allows dry food with a diameter of 2-12mm (0.08-0.47inch).

Q: The amount of food dispensed is not the same.

A: When first add food to the machine, the initial serving might be smaller. This is a normal occurrence. From the third serving onwards, the machine will dispense consistent portions.

Q: What to do when the indicating light above  "flashes?"

A: Keep the feeder within close range to the router (within 19.7ft/6m), without walls or other objects causing a weak signal.

Q: What to do when the indicating light above  "flashes?"

A: Clear out food from the food tank, check if it is stuck in between the turnplate.

Q: What if I receive a food blockage message in my feeding log?

A: 1. Check if food are clogged in the dispensing tunnel.
2. Manually clear out food from the tunnel, and check if food is stuck at turnplate.

Q: Can we use battery as a primary power source?

A: Batteries are only a back-up power source.

For more questions, please email our support team:

 support@wopet.com



Scan the QR code to get help

FCC Warnings

- Changes or modifications to this unit are not expressly approved.
- Non-compliance could void the user's authority to operate the equipment.

Notes:

This equipment has been tested and found to comply with the limits for a Class B digital device, pursuant to Part 15 of the FCC Rules. These limits are designed to provide reasonable protection against harmful interference in a residential installation.

This equipment generates, uses and can radiate radio frequency energy and, if not installed and used in accordance with the instructions, may cause harmful interference to radio communications. However, there is no guarantee that interference will not occur in a particular installation. If this equipment does cause harmful interference to radio or television reception, which can be determined by turning the equipment off and on, the user is encouraged to try to correct the interference by one or more of the following Measures:

- Reorient or relocate the receiving antenna.
- Increase the distance between the equipment and the receiver.
- Connect the equipment into an outlet on a different circuit from that to which the receiver is connected.
- Consult the dealer or an experienced radio/TV technician for help. Shielded interface cables must be used with the equipment in order to comply with the limits for a digital device pursuant to Sub part B of Part 15 of FCC Rules. Specifications and designs are subject to change without any notice or obligation on the part of the manufacturer.

Ask Us A Question

1. Find your order



2. Click "View order details"



3. Click the Seller name



4. Click "Ask a question"



- Complimentary parts, replacements, consumable products are not covered by the 2-year warranty.
- Manufactures' warranties may not apply in all cases, depending on factors such as use of the product, where the product was purchased, or who you purchase the product from.
- Please review the warranty carefully, and contact the manufacture if you have any questions.

Warranty Information

- If you have any problems when using our products, please send us an email at support@wopet.com
- 30 days free Return & Replacement
- Standard Warranty: 1-Year product Warranty
2-Year Warranty Application: Please scan the QR code to finish the registration form on our official website within 30 days after you received the items.



The logo for Wopet is written in a stylized, rounded, orange font. The letters are interconnected, with the 'o' and 'p' being particularly prominent and overlapping.

Pet First, One Paw At A Time